



330-477-7719

800-686-4331

Pager: 330-737-1227

www.cantonchairrental.com



# Customer Instructions for the LOCK N GO ACCU- BREEZE Cotton Candy Maker



①

The base unit should be placed on a sturdy, level work surface.

THIS MACHINE REQUIRES A 15 AMP, 120 VOLT, 60 CYCLE ELECTRICAL OUTLET DEDICATED TO THIS MACHINE ALONE. THE POWER CORD IS EQUIPPED WITH A MACHINE GROUND. FOR SAFETY, ALWAYS PLUG THE MACHINE INTO A GROUNDED RECEPTICAL. USE OF AN EXTENTION CORD IS NOT RECOMENDED.



②

Simply flip the transport handel down into the "Operation" position

	<b>⚠ DANGER</b>
	Machine must be properly grounded to prevent electrical shock to personnel. Do NOT immerse the equipment in water. Always unplug the equipment before cleaning or servicing.



③

Place the floss pan onto the base unit so that the spinner head is centered in the hole in the floss pan.

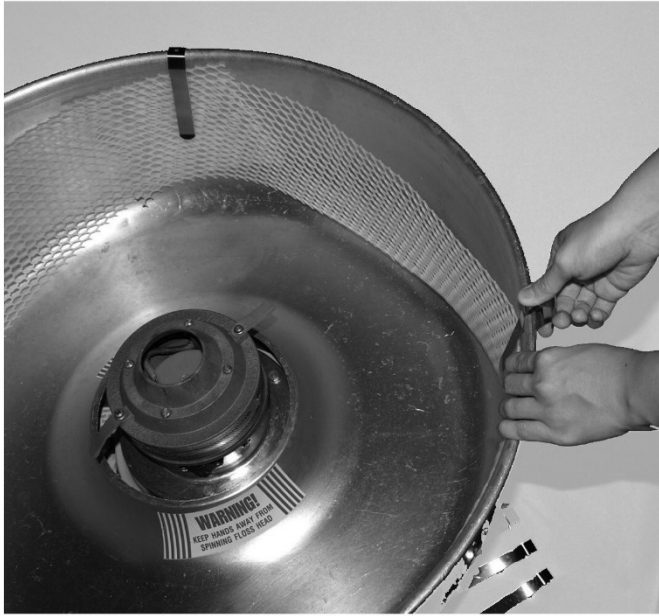


④

The floss pan will simply rest on the four rubber pegs located on the four corners of the base unit.

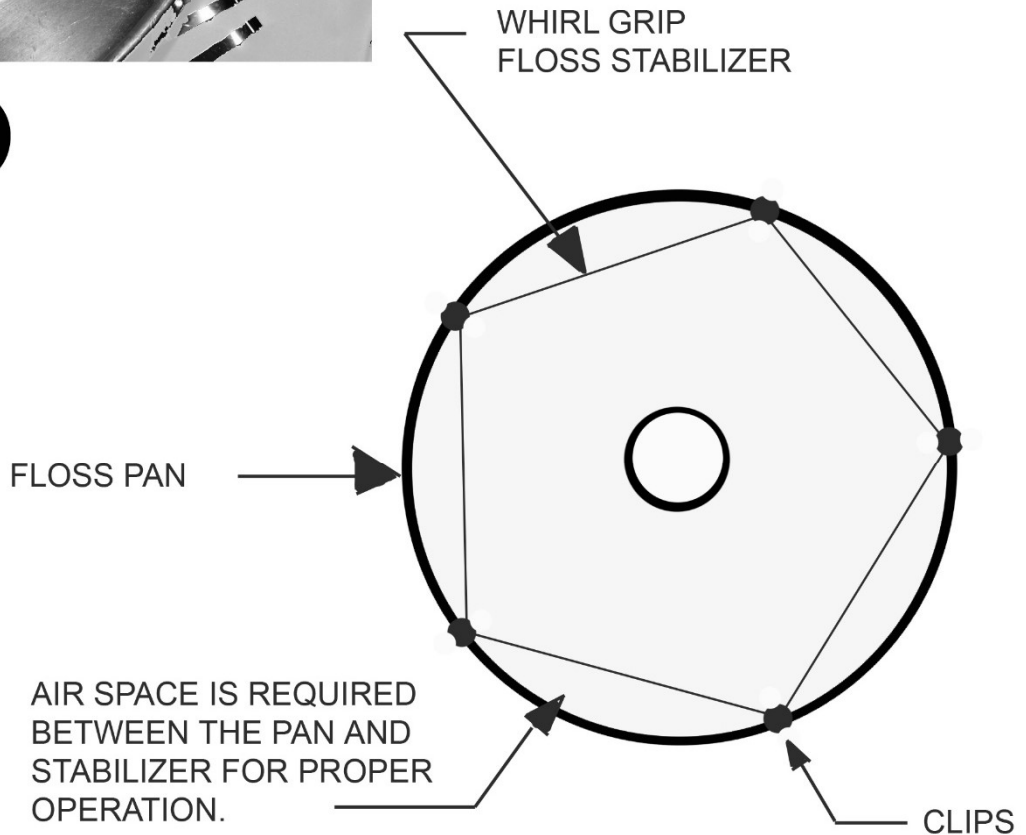


# INSTALLATION OF FLOSS STABILIZER



Using the five metal clips provided, attach the plastic mesh stabilizer to the inside of the floss pan. Pull the mesh gently to create a space between the mesh and the pan

5





Place the clear plastic bubble shield on top of the floss pan.

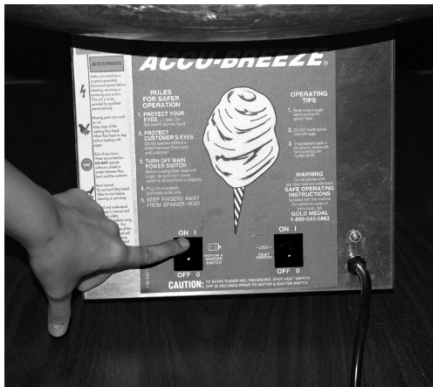
⑥



Add sugar to the center of the floss head. Always fill it 90% full to obtain a balanced condition in the head, and eliminate excessive vibration.

⑦

**DO NOT ADD SUGAR WITH THE MOTOR RUNNING.**



Turn on BOTH of the control switches. First the motor & master switch, and then the heat switch. A short time after the floss head begins to spin and heat up sugar will begin to spin off and collect on the floss stabilizer and floss pan.

⑧

**BEFORE TURNING THE MACHINE OFF, LET THE FLOSS HEAD CONTINUE TO SPIN UNTIL IT IS COMPLETELY OUT OF SUGAR, THEN TURN THE HEAT SWITCH OFF 30 SECONDS PRIOR TO THE MOTOR AND MASTER SWITCH TO AVOID MELTING ANY REMAINING SUGAR RESIDUE.**

Refer to the following page STEP ⑨ for the best way to collect the spun cotton candy

**IMPORTANT!!! We can always be reached to assist you!**

\*\*If you have reviewed all of the above suggestions, and you are still not getting satisfactory results, you must contact Canton Chair Rental immediately.

If it is during business hours, please call our direct line at 330-477-7719 or 1-800-686-4331. If it is after hours, on the weekend, or a holiday, please dial our pager number at 330-966-4308.

After the message, punch in the phone number that you can be reached at. Someone will return your call shortly.

If you are having a problem with the machine, and you do not contact us immediately, we will be unable to adjust your invoice after the fact.

Thank You for your Continued Patronage,  
Staff at Canton Chair Rental





# ⑨ Making Floss



Pick a cone; if it sticks in the stack of cones, twist it off the stack.

Hold an inch or two of the pointed end of the cone between two fingers and a thumb. With a light flicking action, roll cone in the web of floss building up in the pan. Lift the cone up with the ring of floss attached and rotate the cone to wrap the floss. **DO NOT** roll floss while the cone is inside the pan. This will pack the floss too tightly.

If the floss fails to stick to the cone, pass the cone near the spinner head to pick up a "starter" of melted sugar. Lift the cone out of the pan and wrap the floss with a "figure eight" movement of the hand. This leaves giant pockets and makes the final product appear larger. Make sure room humidity is not too high, or product will be "heavy".

1. Grip cone as shown.
2. Break into web of floss with the cone.
3. Wind the sugar onto the cone.
4. Lift web of floss from the pan and roll onto the cone.



5.



6.



7.



8.



Once you have the candy on the cone, If you wish, you can stage the candy in bags. Simply place a bag over the cotton candy, and pull it off of the cone and into the bag

- DO NOT PUT HANDS OR OBJECTS IN ROTATING SPINNER HEAD.
- DO NOT FILL SPINNER HEAD WITH SUGAR WHILE IT IS ROTATING.
- OPERATOR SHOULD WEAR EYE PROTECTION.
- DO NOT PUT HANDS NEAR ROTATING SPINNER HEAD.
- USE FLOSS CONE TO COLLECT COTTON CANDY.

	<b>▲ WARNING</b> Floss head rotates at 3450 RPM. Operator must keep hands and face clear of the floss head and keep spectators at a reasonable distance.
--	-------------------------------------------------------------------------------------------------------------------------------------------------------------



# IMPORTANT!

**We can ALWAYS be reached to assist you!**

If you are experiencing problems with a rental item, please call us!

During business hours: **330-477-7719** or **1-800-686-4331**

After hours, weekends, or holidays: **330-737-1227**

**We want your event to run smoothly and will work to solve your problem quickly! If you fail to contact us at the time you are experiencing problems, we may not be able to adjust your invoice once an item is returned.**

## A NOTE ABOUT ELECTRICAL EQUIPMENT:

### PLUGGING IN:

- We recommend that you plug our equipment directly into a wall outlet.
- If you **MUST** use an extension cord, please use a heavy-duty cord (at least 12 gauges). Please refer to national and local electrical codes.
- If the equipment has a three prong-grounding plug, it must be plugged into a three holed grounded receptacle.
  - **Do not use a three-to-two prong adapter**, as this could reduce safety components and increase the risk of electric shock.
  - **Do not attempt to alter the electrical plug**. Serious injury or electrocution may result.
  - **A \$10 FEE WILL BE ASSESSED IF THE EQUIPMENT'S GROUND PLUG HAS BEEN TAMPERED WITH!**

### CIRCUITS AND FUSES:

- Each of our electrical rental items (especially concession equipment, coffee makers, roasters, hot boxes and fountains) should be on its own 20-amp circuit. Even though some equipment may be rated at nine or ten amps, the machine may draw more power while it is starting up.
- **REMEMBER**, overloading an outlet may blow fuses or circuits. We recommend that you locate the proper power source hours before your event starts so you are sure to not have any surprises. You may run into problems using this equipment if it is not plugged into its own dedicated outlet. If you are experiencing problems, try using a different outlet.

## BEFORE YOUR EVENT:

You have rented an item that has passed our electrical testing. We are unable to determine if the facility where you are using the unit has proper power. To ensure this equipment will work correctly for your event, we recommend that you do the following several hours prior to the start of your event:

Audio/Visual Items	Plug in and test (be aware of where spare bulb is in case you have one burn out).
Beverage Fountain	Plug in and fill with water. Make sure the light turns on and that the fountain flows correctly.
Chocolate Fountain	Assemble the fountain. Plug in and melt chocolate 1-2 hours prior to the start of your event. Start the fountain to insure proper chocolate flow. <b>Once started, leave the fountain running throughout the event.</b>
Coffeemaker	Plug in and fill with water. Make sure the water begins to heat.
Concession Equipment	Make a test batch.
Heat Lamp	Plug in and make sure bulb heats up.
Hot Box	Plug in and heat up.
Lighted Column	Plug in and light up.
Lighted Ice Tray	Plug in and light up.
Roaster	Plug in and make sure the roaster begins to heat up.

**PLEASE CALL US RIGHT AWAY IF YOU EXPERIENCE ANY PROBLEMS!**

**WE WILL MAKE IT RIGHT!**